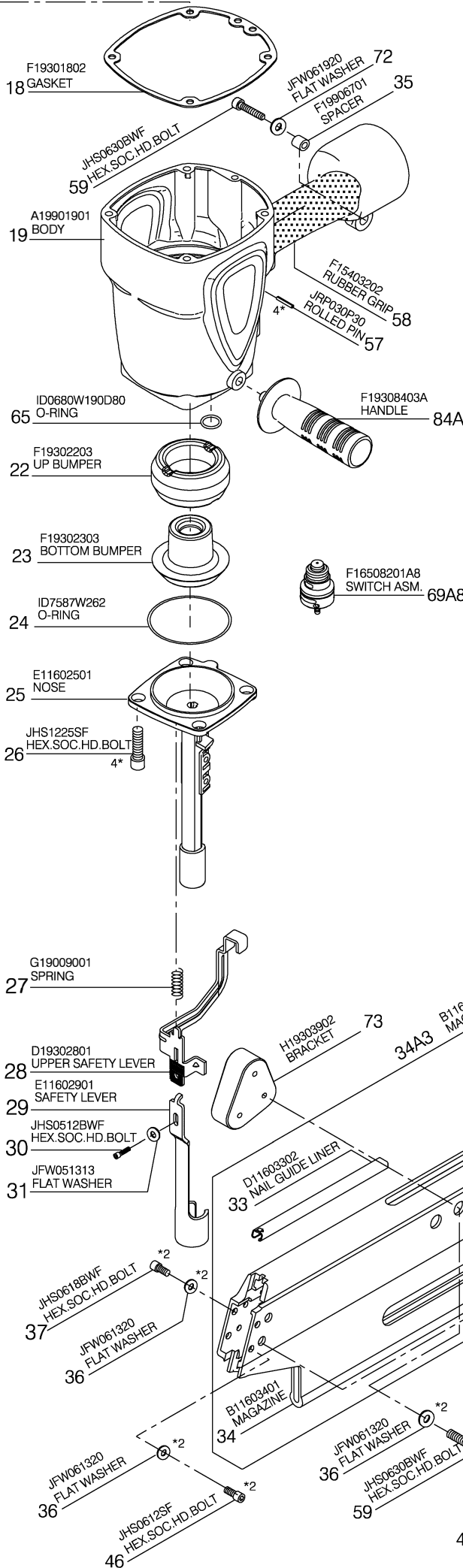
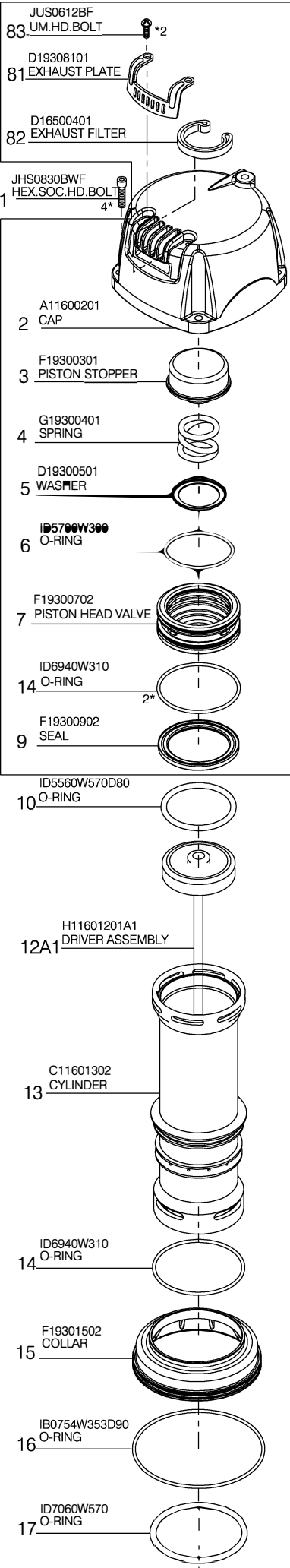
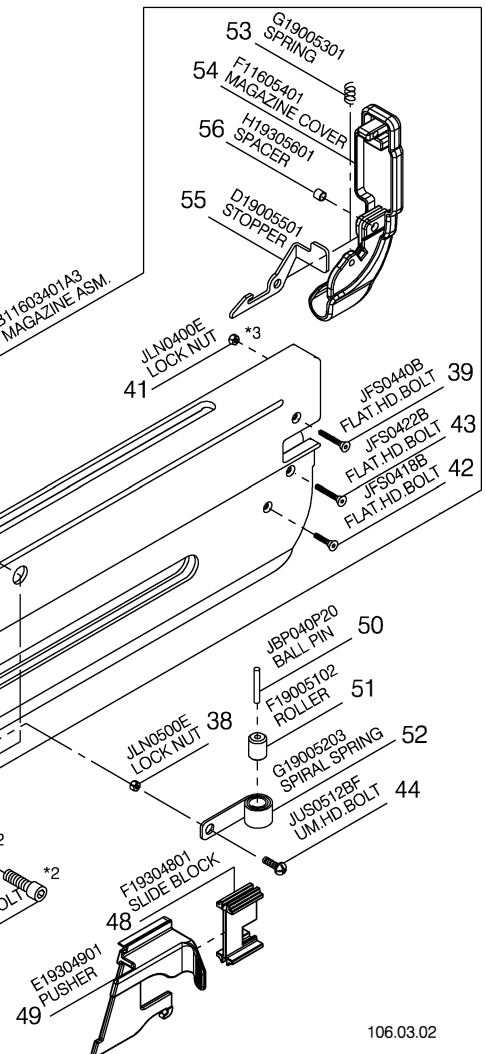
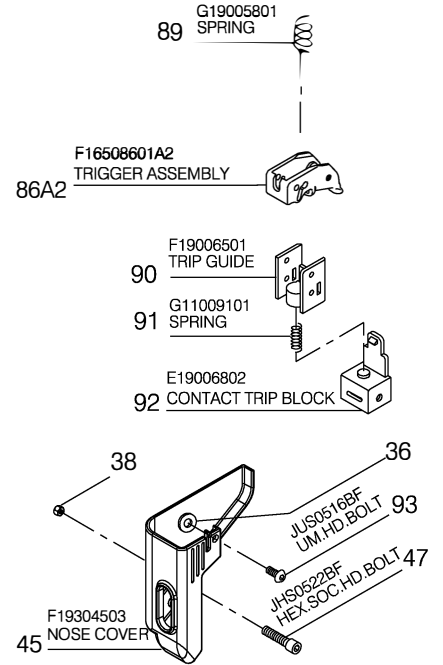


2A1 A11600201A1
CAP ASM.



ANS21161



| N° | Code | Description |
|------|---------------|--------------------|
| 2A1 | A11600201A1 | CAP ASM. |
| 83 | JUS0612BF | UM.HD.BOLT |
| 81 | D19308101 | EXHAUST PLATE |
| 82 | D16500401 | EXHAUST FILTER |
| 1 | JHS0830BWF | HEX.SOC.HD.BOLT |
| 2 | A11600201 | CAP |
| 3 | F19300301 | PISTON STOPPER |
| 4 | G19300401 | SPRING |
| 5 | D19300501 | WASHER |
| 6 | ID5700W300 | O-RING |
| 7 | F19300702 | PISTON HEAD VALVE |
| 14 | ID6940W310 | O-RING |
| 9 | F19300902 | SEAL |
| 10 | ID5560W570D80 | O-RING |
| 12A1 | H11601201A1 | DRIVER ASSEMBLY |
| 13 | C11601302 | CYLINDER |
| 14 | ID6940W310 | O-RING |
| 15 | F19301502 | COLLAR |
| 16 | IB0754W353D90 | O-RING |
| 17 | ID7060W570 | O-RING |
| 18 | F19301802 | GASKET |
| 59 | JHS0630BWF | HEX.SOC.HD.BOLT |
| 72 | JFW061920 | FLAT WASHER |
| 35 | F19906701 | SPACER |
| 19 | A19901901 | BODY |
| 58 | F15403202 | RUBBER GRIP |
| 57 | JRP030P30 | ROLLED PIN |
| 65 | ID0680W190D80 | O-RING |
| 22 | F19302203 | UP BUMPER |
| 23 | F19302303 | BOTTOM BUMPER |
| 24 | ID7587W262 | O-RING |
| 25 | E11602501 | NOSE |
| 26 | JHS1225SF | HEX.SOC.HD.BOLT |
| 27 | G19009001 | SPRING |
| 28 | D19302801 | UPPER SAFETY LEVER |
| 29 | E11602901 | SAFETY LEVER |
| 30 | JHS0512BWF | HEX.SOC.HD.BOLT |
| 31 | JFW051313 | FLAT WASHER |
| 37 | JHS0618BWF | HEX.SOC.HD.BOLT |
| 36 | JFW061320 | FLAT WASHER |
| 46 | JHS0612SF | HEX.SOC.HD.BOLT |
| 89 | G19005801 | SPRING |
| 86A2 | F16508601A2 | TRIGGER ASSEMBLY |
| 69A8 | F16508201A8 | SWITCH ASM. |
| 90 | F19006501 | TRIP GUIDE |
| 91 | G11009101 | SPRING |
| 92 | E19006802 | CONTACT TRIP BLOCK |
| 93 | JUS0516BF | UM.HD.BOLT |

| N° | Code | Description |
|------|-------------|------------------|
| 47 | JHS0522BF | HEX.SOC.HD.BOLT |
| 45 | F19304503 | NOSE COVER |
| 34A3 | B11603401A3 | MAGAZINE ASM. |
| 73 | H19303902 | BRACKET |
| 53 | G19005301 | SPRING |
| 54 | F11605401 | MAGAZINE COVER |
| 56 | H19305601 | SPACER |
| 55 | D19005501 | STOPPER |
| 41 | JLN0400E | LOCK NUT |
| 39 | JFS0440B | FLAT HD. BOLT |
| 43 | JFS0422B | FLAT HD. BOLT |
| 42 | JFS0418B | FLAT HD. BOLT |
| 33 | D11603302 | NAIL GUIDE LINER |
| 34 | B11603401 | MAGAZINE |
| 50 | JBP040P20 | BALL PIN |
| 51 | F19005102 | ROLLER |
| 38 | JLN0500E | LOCK NUT |
| 59 | JHS0630BWF | HEX.SOC.HD.BOLT |
| 49 | E19304901 | PUSHER |
| 48 | F19304801 | SLIDE BLOCK |
| 52 | G19005203 | SPIRAL SPRING |
| 44 | JUS0512BF | UM.HD.BOLT |
| 84A | F19308403A | HANDLE ASM. |