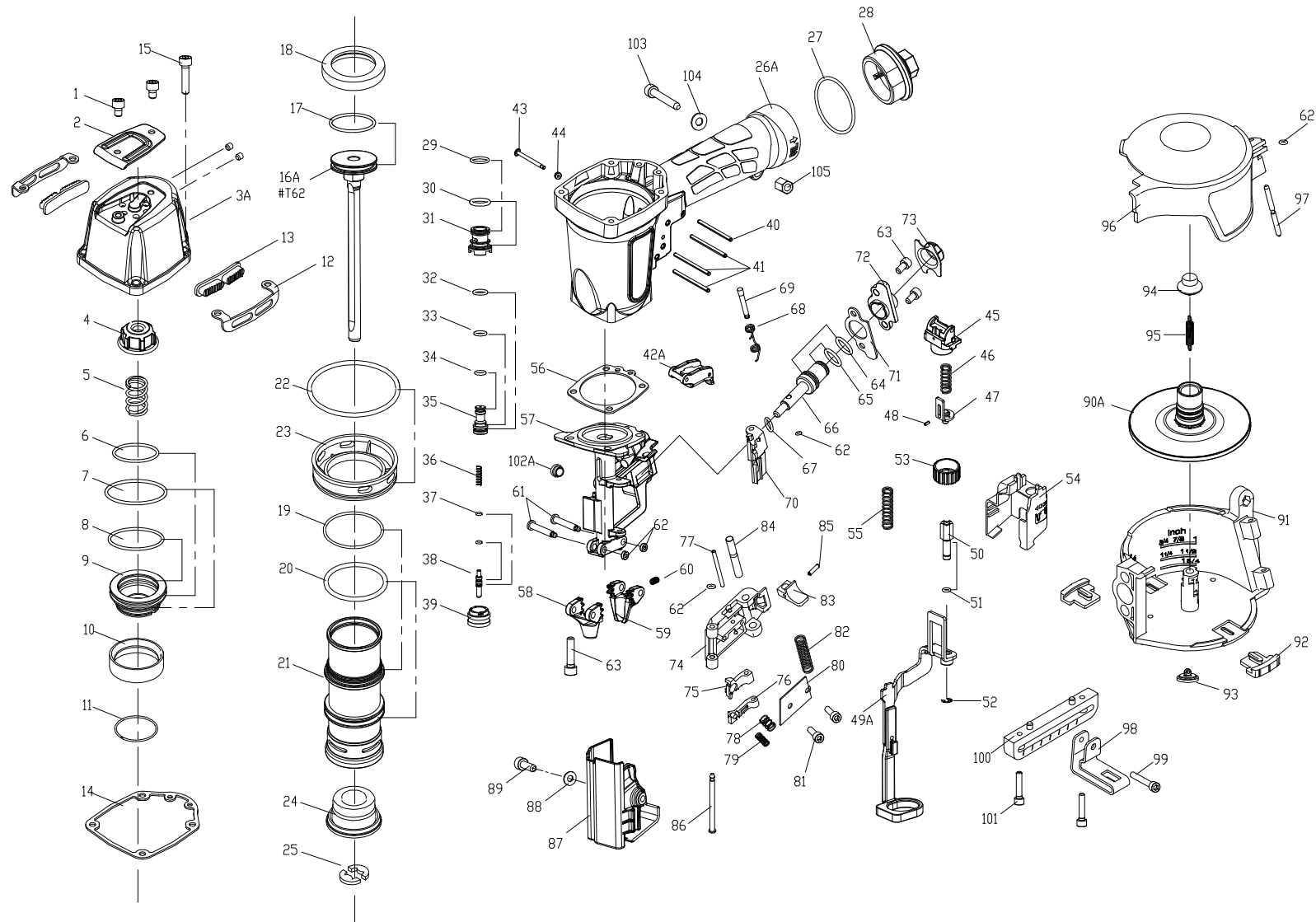


EXPLODED VIEW



Parts List

Item No.	Part No.	Description	Q'ty	Item No.	Part No.	Description	Q'ty
1	30105080166	Hex.Soc.Hd.Bolt	2	61	21592340001	Pin	2
2	23000010078	Deflector, Exhaust	1	62	30700157000	O-Ring	5
3A	232700210XX	Cap Assembly	1set	63	30105120166	Hex.Soc.Hd.Bolt	6
4	23000140017	Piston Stopper	1	64	30700293000	O-Ring	1
5	23000160000	Spring	1	65	30700203000	O-Ring	1
6	30700289000	O-Ring	1	66	23271140001	Feed Piston	1
7	30700142000	O-Ring	1	67	30700071000	O-Ring	1
8	30700290000	O-Ring	1	68	23001120001	Spring	1
9	23000150000	Piston,Head Valve A	1	69	23001170001	Roll Pin	1
10	23000260000	Piston,Head Valve B	1	70	23001180066	Feed Pawl	1
11	23000280001	Spacer, Piston,Head Valve	1	71	23003510000	Gasket	1
12	23000220001	Guide Cover	2	72	23001160000	Feed Piston Cover	1
13	23000270015	Anti.Skid Grip	2	73	23002570015	Feed Piston Cover	1
14	23000130000	Gasket, Cap	1	74	23001250066	Nail Guide	1
15	30105220166	Hex.Soc.Hd.Bolt	4	75	23001200000	Check Pawl A	1
16A	23270462001	Driver Assembly	1set	76	23003530000	Check Pawl B	1
17	30700279000	O-Ring	1	77	30803280001	Spring Pin	1
18	23000250117	Seal	1	78	23001300001	Spring	1
19	30700291000	O-Ring	1	79	23003540001	Spring	1
20	30700115000	O-Ring	1	80	23001260001	Nail Guide Cover	1
21	23270350000	Cylinder	1	81	30104100166	Hex.Soc.Hd.Bolt	2
22	30700297000	O-Ring	1	82	23001220001	Spring	1
23	23000370216	Cylinder Spacer	1	83	23001240001	Nail Guide Latch	1
24	23000470115	Bumper	1	84	23001230001	Lock Shaft	1
25	23270480001	Driver Guide	2	85	30803120001	Spring Pin	1
26A	230006121XX	Body Assembly	1set	86	22601270001	Shaft Pin Nail Guide	1
27	30700185000	O-Ring	1	87	23271550015	Safety Cover	1
28	207707X02XX	End Cap	1	88	30900016001	Flat Washer	1
29	30700079000	O-Ring	1	89	30105100166	Hex.Soc.Hd.Bolt	1
30	30700081000	O-Ring	1	90A	23001891015	Nail Holder Assembly	1set
31	20770900016	Valve	1	91	23001840015	Magazine	1
32	30700071000	O-Ring	1	92	23001930015	Bushing	2
33	30700201000	O-Ring	1	93	21341830015	Tension Post Bushing	1
34	30700002000	O-Ring	1	94	23001770015	Tension Post Bushing(Upper)	1
35	20770910016	Valve Plunger	1	95	22601820001	Spring	1
36	20770960001	Spring	1	96	23001790015	Magazine Cover	1
37	30700080000	O-Ring	2	97	23001780001	Shaft Pin Cover	1
38	20770920100	Plunger	1	98	23001880001	Adjusting Plate	1
39	20770930016	Plunger Cap	1	99	30105180166	Hex.Soc.Hd.Bolt	1
40	30803240001	Spring Pin	1	100	23001860115	Gauge Bracket	1
41	30803260001	Spring Pin	3	101	30104220166	Hex.Soc.Hd.Bolt	2
42A	23000952015	Trigger Assembly-Bump	1set	102A	20973502100	Magnet Bushing Assembly	1set
43	20770890001	Pin Trigger	1	103	30105220166	Hex.Soc.Hd.Bolt	1
44	30700078000	Grommet	1	104	30900008001	Flat Washer	1
45	23002840115	Guide, Contact Trip A	1	105	30605080001	Locknut	1
46	23001630001	Adjusting Spring	1				
47	23001481001	Contact Trip, Upper Assembly	1				
48	30802060001	Spring Pin	1				
49A	23271511001	Lower Safety Lever Assembly	1set				
50	23001500001	Adjusting Post	1				
51	30700287000	O-Ring	1				
52	31304000001	E-ring	1				
53	23001610015	Safety Guide	1				
54	23002980015	Guide, Contact Trip B	1				
55	23001490001	Spring, Safety	1				
56	23001070000	Gasket	1				
57	23271130066	Nose	1				
58	21593600266	Jaw A	1				
59	21593610266	Jaw B	1				
60	21593620001	Spring	1				